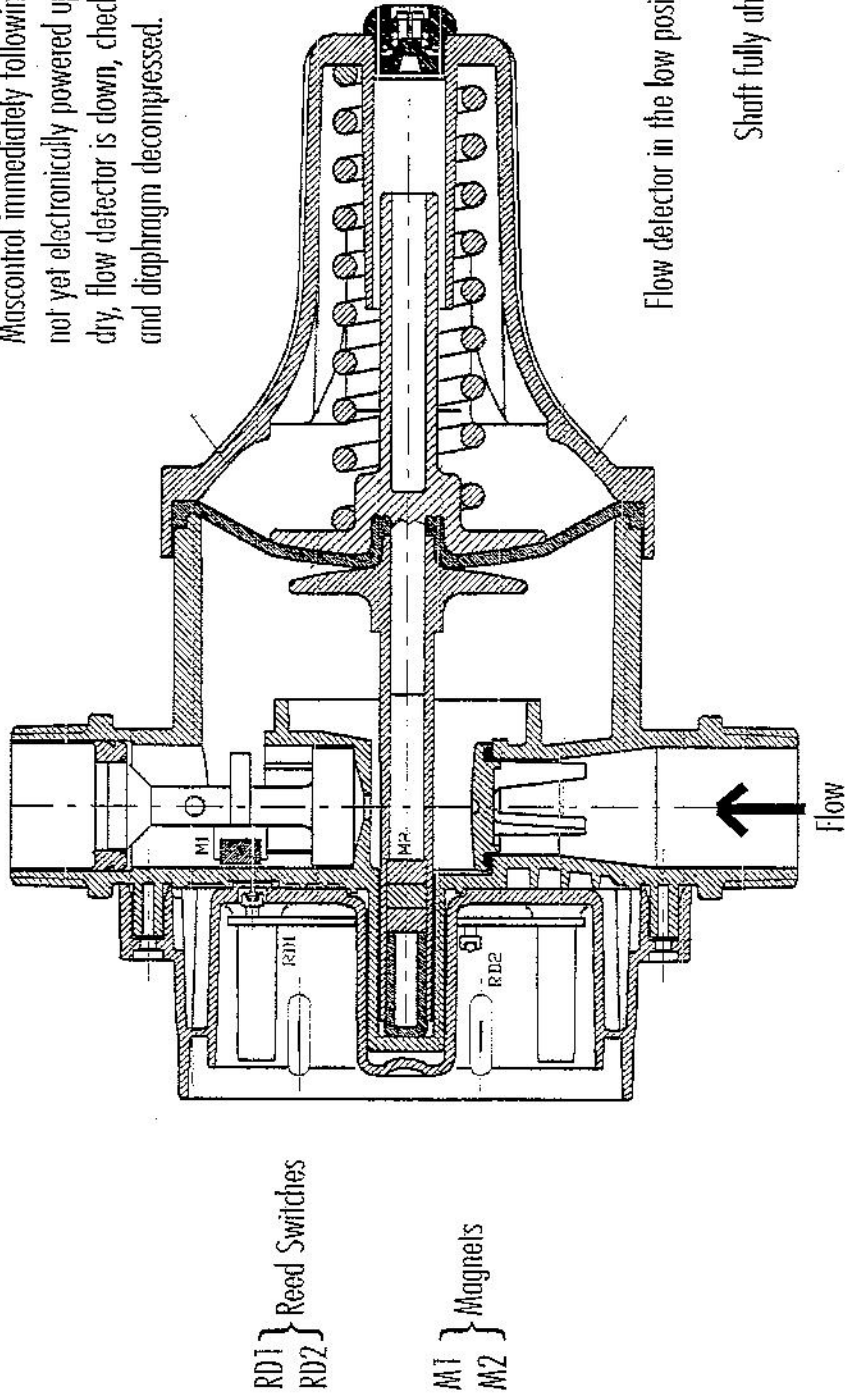


Illustration 1

MASCONTROL® Working Features

Mascontrol immediately following system connection but not yet electronically powered up. Internal cavity is still dry, flow detector is down, check valve is seated, spring and diaphragm decompressed.



When the unit is powered up electrically, the electronic card gives a start signal to the pump which starts working for about 8 seconds (1st timer). The positions of the flow detector and the shaft are modified because of the flow and pressure produced inside the unit which, therefore, automatically resets to reach the condition shown in Illustration 2. If the system requires additional time to pressurize, the unit remains in the static condition (shutdown condition). In this case, the RESET button must be kept depressed until the red LED is off (water is flowing through the Mascontrol).